

the transbay

Creative Music Calendar

JULY 2009

about this thing

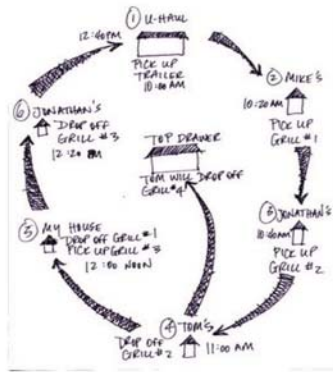
The Transbay Creative Music Calendar is a volunteer-produced free monthly journal for non-commercial creative new music in the San Francisco Bay Area. In addition to our comprehensive listing of upcoming events, we publish articles and reviews about local music and the people who create it. We talk about a wide range of modern music, including: experimental, improvised, noise, electronic, free-jazz, outrock, 21st century compositions, and sonic art. Each month, 1,000 copies of the Transbay are mailed to individuals and hand-delivered to over 45 performance venues and public locations throughout the Bay Area.

Contact us for a free subscription!

Your kind donations help keep the Transbay alive and growing. Please send checks [payable to "Transbay Music Calendar"] to:

Transbay Accounting
106 Fairmount Avenue
Oakland, CA 94610

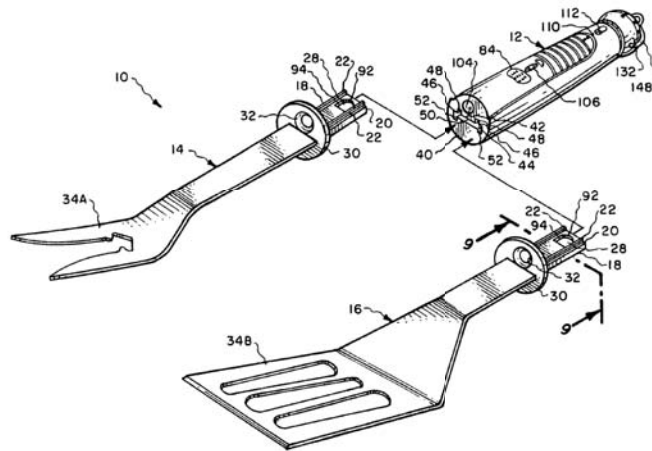
Please visit our web site or contact us directly: mail@transbaycalendar.org for more information about getting your free subscription, submitting content, listing an event, advertising, viewing archives, or volunteering. ❖



The Ninth Annual TRANSBAY SKRONKATHON BBQ

Saturday July 11, 1:30 to 11:30 PM,
at 21 Grand, 416 25th Street,
Oakland, CA (Just off Broadway)

The Transbay Skronkathon BBQ is a day of homebrewed experimental music and homecooked food. There'll be skronkin' and honkin' on two stages inside 21 Grand and grillin' and chillin' in the alleyway outside, all day into the night. Bring something to grill. (We'll bring the grill.) Let some of the Bay Area's best experimental musicians operate on your auditory cortex.



Featuring (among others)
flyloops, vibrating garbage, Matt Davignon, Jen Baker, Kaylee Coombs, weltschmerz, darph/nadeR, Respectable Citizen, George Ludwig, T. D. Skatchit, Jacob Felix Heule, Tony Dryer, Jay Korber, Sndrft eoo and Mike Jacobs, Hanuman Zhang, Protea, z_bug, RTD3, John Hanes, Steve Adams, PG13, Reconnaissance Fly, sfSoundGroup, Jen Baker (again), Ron Heglin, Karen Stackpole, Tom Djll, Gino Robair, Amy X Neuburg

But we'll beg for donations to the Transbay Calendar

TRANSMEM

the transbay

Creative Music Calendar

Thursday July 2

Velma's Sunday Blues and Jazz Club • 7pm
Eddie Gale with guests Sandy Poindexter (violin)
Valerie Mih (piano), Andrew Currier (bass), Dante
James (drums)

Luggage Store Gallery • 8pm \$6-10
Outsound Presents the New Music Series
8pm: Courtesy Tourniquet - Errol Stewart (Guitars,
Radio) & Nick Roberts (Electronics, Saxophone)
9pm: Jack O' The Clock

The LAB • 8pm \$8 sliding scale admission
Chris Brown's Evening of Experimental Music
featuring Charles Johnson, Chad and Curtis
McKinney, Tom Nunn and William Winant

Bluesix • 9pm \$10-5
Scott Amendola/Terrence McManus Duo
(drums/percussion and electric guitar)

Friday July 3

Flux 53 • 9pm \$10
Terrence McManus Project

Sunday July 5

Musicians Union Hall • 7pm \$10/8
Outsound presents the SIMM Series
7pm Terrence McManus
8pm Ralph Carney - saxophones, etc./Mike Elias
- guitar/Bill Noertker - contrabass/Dave Mihaly -
drums

Studio 1510 • 8pm \$6-10 sliding scale
Michael Vatcher (Amsterdam) in two trios w/ Philip
Greenlief, Scott R. Looney, Richard Saunders, and
Damon Smith

Monday July 6

Makeout Room • 8pm free
The Monday Makeout presents:
The Spirit Moves Us: Jim Ryan / Bob Marsh / Spirit
Admiral Ted Brinkley and Friends

Tuesday July 7

Tom's Place • 7pm
First Tuesdays at Tom's
Terrence McManus Solo, Johannes & Anna
Bergmark, Polly Moller/Amar Chaudary duet and
RTD3 [Nunn/Carroll/Heglin trio]

Socha Cafe • 8-11pm free
Tony Dryer (double bass), Jacob Felix Heule
(drum set), +TBA

Wednesday July 8

Flux 54 • 7pm FREE (Donations adored)
Hump Day Jam
A guided trek through uncharted realms. Electric
organ and small drum kit available.

The LAB • 8pm \$8 sliding scale admission
Miya Masaoka, Tomas Phillips

Thursday July 9

Luggage Store Gallery • 8pm \$6-10
Outsound Presents the New Music Series
Full Moon Concerts - Blessing Moon
8pm Free Rein
9pm Valka (Agnes Szelag + Marielle Jakobsons)
with Noah Phillips

Friday July 10

Works San Jose • 8pm \$10 suggested donation
The Spirit Moves Us (Bob Marsh cello, Jim Ryan
reeds/flute/kalimba, Spirit percussion)
The Left Coast Improv Group (Doug Carroll
cello, Michael Cooke bassoon/sheng, Ron Heglin
trombone, Daren Johnson trumpet, Scott R. Looney
electronics, Bob Marsh cello, Jim Ryan horn/flute/
percussion, and others TBA)

Saturday July 11

Golden Trapper Keeper Lodge • 12pm donation aok
Godwaffle Noise Pancakes
Future Death Toll, My Daddy Ate My Eyes, Barry
Threw

21 Grand • 1pm free
It's the gazillionth annual Transbay
Skronkathon, moved to Saturday and starting a
little later.

Meridian Gallery • 7pm \$10 gen; \$5 stu/srs
Arab Orchestra of San Francisco
under the direction of oud player Saed Muhssin.

Sunday July 12

The LAB • 8pm \$8 sliding scale
Club Sandwich presents
Foot Village, Death Sentence: Panda!, KIT, Lucky
Dragons, and Former Ghosts

Wednesday July 15

The LAB • 8pm \$8 sliding scale admission
Mission Creek Music Festival: Collision
Ann Magnuson, Darwin's Bitch, Zachary James
Watkins, and more.
Continues through Saturday, July 18

Thursday July 16

Luggage Store Gallery • 8pm \$6-10
Outsound Presents the New Music Series
8pm: Lance Grabmiller (laptop) with Sebastian
Krawczuk (ashbory bass)
9pm: TBA

Friday July 17

Book Zoo • 7pm Donation]
dj cypod presents Rock and Read
Amar Chaudary solo; Polly Moller and the Flip
Quartet

Sunday July 19

Community Music Center • 7pm Free
The Outsound New Music Summit
Touch the Gear Expo
Richard Waters, CJ Borosque, Crank Ensemble,
Tom Duff, Travis Johns, Thomas Dimuzio, Ferrara
Brain Pan, Rick Walker, Tom Nunn and more TBA

ODC Dance Commons • 8pm \$10/5
sfSoundSeries
Milton Babbitt's All Set (1957) and music by Alvin
Lucier, Olga Neuwirth, Hans Thomalla, ma++
ingalls, and sfSound

Monday July 20

Kingman's Ivy Room • 9pm Free
Improv Noise Hootenanny & Social Club
Ross Hammond, John Hanes, and Lisa
Mezzacappa
with curated sets by Matt Lebofsky, The Noodles,
and Moe! Staiano/Gino Robair/Jacob Felix Heule

Tuesday July 21

Uptown • 9pm free, donations solicited
21 Grand's Avant Garde Night
Weasel Walter Large Ensemble (Weasel Walter,
William Winant - drums; Darren Johnston - trumpet;
Aram Shelton - alto, soprano sax; Kristian Aspelin,
Ava Mendoza - guitar; Aaron Bennett - baritone,
tenor sax; John Gruntfest - alto sax; Devin Hoff,
Damon Smith - bass)

Wednesday July 22

Flux 53 • 7pm FREE (Donations adored)
Hump Day Jam [Even Wednesdays]
A guided trek through uncharted realms. Electric
organ and small drum kit available.

Community Music Center • 7:15pm Q&A 8:15 show
\$12/6
The Outsound New Music Summit: Free
Improvisation | Free Composition
Alicia Mangan & Spirit, ROVA Saxophone Quartet
w/Bruce Ackley, Larry Ochs Jon Raskin, Steve
Adams, Vinny Golia w/Thollem McDonas, Rent
Ramus, Damon Smith, Noah Phillips, Garth Powell

Thursday July 23

Community Music Center • 7:15pm Q&A 8:15 show
\$12/6
The Outsound New Music Summit: Industrial
Soundscapes
Forms of Things Unknown, Peter Kolovos, Conure,
Hans Fjellestad, Thomas Dimuzio

21 Grand • 8pm \$8-15 sliding scale
William Hooker - Oluyemi Thomas duo + tba

AD2ME

Friday July 24

Community Music Center • 7:15pm Q&A 8:15 show \$12/6

The Outsound New Music Summit: InterMedia
Jess Rowland & The Dreamland Puppet Theater,
Gilbert Guerrero and Kathleen Quillian, Bonfire
Madigan

Saturday July 25

Community Music Center • 7:15pm Q&A 8:15 show \$12/6

The Outsound New Music Summit: Introspection & Improvisation

Natto Quartet w/ Phillip Gelb, Shoko Hikage, Tim Perkis, Chris Brown, Ghost In the House featuring Richard Waters w/David Mihalak, Karen Stackpole, Kyle Bruckman, Tom Nunn, Left Coast Improv Group Tom Nunn, Doug Carroll, Michael Cooke, Ron Heglin, Jeff Hobbs, Darren Johntson, Scott R. Looney, Bob Marsh, Jim Ryan, Karen Stackpole

Wednesday July 29

New Nothing Theater • 8pm FREE
Visual Music Series

Maia Cybelle Carpenter and Anna Geyer present
16mm abstract films with live music.

Thursday July 30

Luggage Store Gallery • 8pm \$6-10
Outsound Presents the New Music Series

8pm: James Devane - computer
9pm: Jorrit Dijkstra (NL)

the persistent caveat

Schedules are subject to change, and the reasons can be totally appalling, flying in the face of human reason.

Please confirm details provided in this publication by visiting transbaycalendar.org.

visit bayimproviser.com

The Bay Area Improviser's Network was created to provide a forum for creative musicians in the San Francisco Bay area. At this site, you can find musician's biographical information, upcoming concert info, reviews, links to other sites, and more.

To contribute to this site, follow the email link at bayimproviser.com/aboutus.htm. Musicians wishing to create or edit their biographies or discographies can request a user name and password that will allow you to maintain your area.

der.org

Outsound



Vinny Golia
ROVA
Alicia Mangan
Hans Fjellestad
Thomas Dimuzio
Bonfire Madagan
Kathleen Quillian
Forms of Things Unknown
Peter Kolovos
Conure

Left Coast Improv
Ghost In The House
Gilbert Guerrero
Jess Rowland
Richard Waters
Natto Quartet
and much more!

Music New Summit July 19 - 25, 2009

SF Community Music Center 544 Capp St. @ 20th
www.outsound.org



Olga Neuwirth *Fondamenta* (1998)
 Milton Babbitt *All Set* (1957)
 Hans Thomalla *Lied* (2008)
 Alvin Lucier *Q* (1996)
 & new works by
 ma++ ingalls &
 sfSoundGroup

Sun July 19 2009
 ODC Dance Commons
 351 Shotwell
 San Francisco
 8p
 \$10
 [\$5 underemployed]

sfSoundSeries

venue information

- 21 Grand
416 25th Street, Oakland [near Broadway]
- Bluesix
3043 24th Street, San Francisco [at Treat]
- Book Zoo
6395 Telegraph Avenue Oakland
- Community Music Center
544 Capp Street, SF [between 20th and 21st]
- Flux 53
5306 Foothill Boulevard, Oakland [at Fairfax]
- Golden Trapper Keeper Lodge
1687 Hayes, San Francisco [at Central]
look for multi eyes on door
- Kingman's Ivy Room
858 San Pablo Avenue, Albany
- The LAB
2948 16th Street, San Francisco [at Capp]
- Luggage Store Gallery
1007 Market Street, San Francisco [at 6th]
- Make-Out Room
3225 22nd Street, San Francisco
- Meridian Gallery
535 Powell Street, San Francisco
- Musicians' Union Hall
116 9th Street, San Francisco [at Mission]
- New Nothing Theater
16 Sherman Street, San Francisco
[off Folsom, between 6th & 7th Streets]
- ODC Dance Commons
351 Shotwell, San Francisco
- Socha Cafe
3235 Mission Street, San Francisco [at Valencia]
- Studio 1510
1510 8th Street, Oakland
- Tom's Place
3111 Deakin Street, Berkeley
- Uptown
1928 Telegraph Avenue, Oakland
- Velma's Sunday Blues and Jazz Club
2246 Jerrold Avenue, San Francisco
- Works San Jose
451 South First Street, San José



OUTSOUND AND THE LUGGAGE STORE GALLERY PRESENT
 THE FULL MOON CONCERT SERIES
 JULY 9, 2009 – BLESSING MOON

PERFORMANCES BY:

FREE REIN
 VALKA (MARIELLE JAKOBSENS &
 AGNES SZELAG) WITH NOAH PHILLIPS

8:00 P.M. AT THE LUGGAGE STORE GALLERY
 1007 MARKET STREET @ 6TH STREET
 SAN FRANCISCO, CA
 ADMISSION: \$6.00 - \$10.00 SLIDING SCALE

NOTE FROM BEAU CASEY

rock found
 east oakland

It's saturday night on Foothill Boulevard, a stone's throw from the Mills campus. A sandwich board in front of a nondescript building advertises entry to the multi-purpose art venue Flux 53. Topping the bill is **Boneless Children**, a well-polished power trio, auditioning tunes from their soon to be released album. Next is **Colossus Explosion**, a monkey suited duo bridging experimental and punk. The opening act was the live looping **Shovelman**. Some of the ceiling panels are missing, and a solitary oriental lamp hangs illuminates the stage here on the frontlines of culture. ❖



wednesday july 1st, 2009

choreographic research and dance film from paige starling sorvillo / blindsight

[dance] paige starling sorvillo
Claire Willey
Folawole Oyinlola
Christine Bonansea
Bethany Clemen

[music] Evelyn Ficarra
Jon Raskin
Kanoko Nishi
Aurora Josephson

[film] held together. (premiere)
by Eric Koziol & sorvillo/blindsight
Dutch Classic (2008)
by Eric Koziol, Matthias Bossi & sorvillo
'these are.' (2007)
by Ian Winters & sorvillo

Noodle Factory :: 1255 26th Street (at Union) :: Oakland.

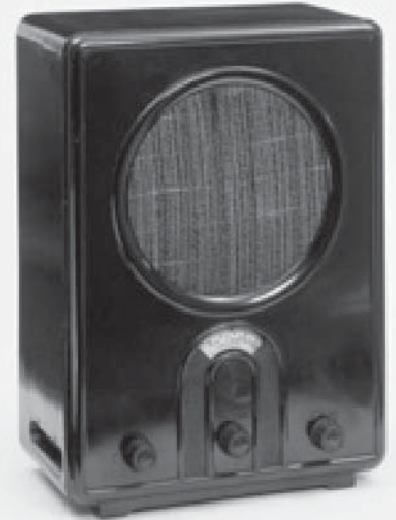
Wednesday July 1st Only :: 8:30pm :: \$10 cash only (no atm nearby!)

Limited Seating :: Res/Info paigesorvillo@mindspring.com or (510) 601-7494.

Carpool or BART/bike (nearest BART West Oakland).

- + live broadcasts
- + live concert recordings
- + works for a broadcast/fixed medium by bay area musicians
- + music from bay area labels
- + recordings of music/musicians recently performed, soon to be performed, or never performed in the bay area
- + classic recordings of new and experimental music
- + other unusual/unexpected sounds and oddities

sfSoundRadio
sfsound.org



CLUB SANDWICH BAY AREA

www.clubsandwichbayarea.com



Process • Movement • State of Mind
5300-5312 Foothill Boulevard • Oakland
510-842-8841 • www.flux53.com



the **transbay** Creative Music Calendar

3111 Deakin St., Berkeley, CA 94705

sponsored in part by



2455 Telegraph Avenue, Berkeley
1855 Haight Street, San Francisco

july 2009

GUERRILLA RECORDING

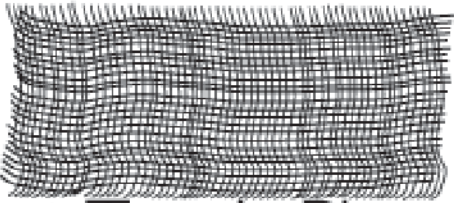


16 TRACK ANALOG RECORDING • CD MASTERING AND DIGITAL EDITING

GREAT SOUNDS • LOW RATES

MYLES BOISEN 510.835.9333

First Tuesdays



at Tom's Place

July 7, 7:30 PM (doors open at 7)

Terrence McManus, solo guitar

Polly Moller, flute and Amar Chaudary, electronics
RTD3

(Tom Nunn perc, Doug Carroll vc, Ron Heglin tbn)
Johannes & Anna Bergmark

3111 Deakin Street, Berkeley, CA
Directions: <http://4-33.com/directions.html>

deadline for august issue is

july 10

visit transbaycalendar.org for full information
we publish reviews • matters of import
calendar listings • photography



416 25th Street
(at Broadway)
Oakland

www.21grand.org
(510) 444-7263

an interdisciplinary arts space championing innovative visual and performing arts since 2000